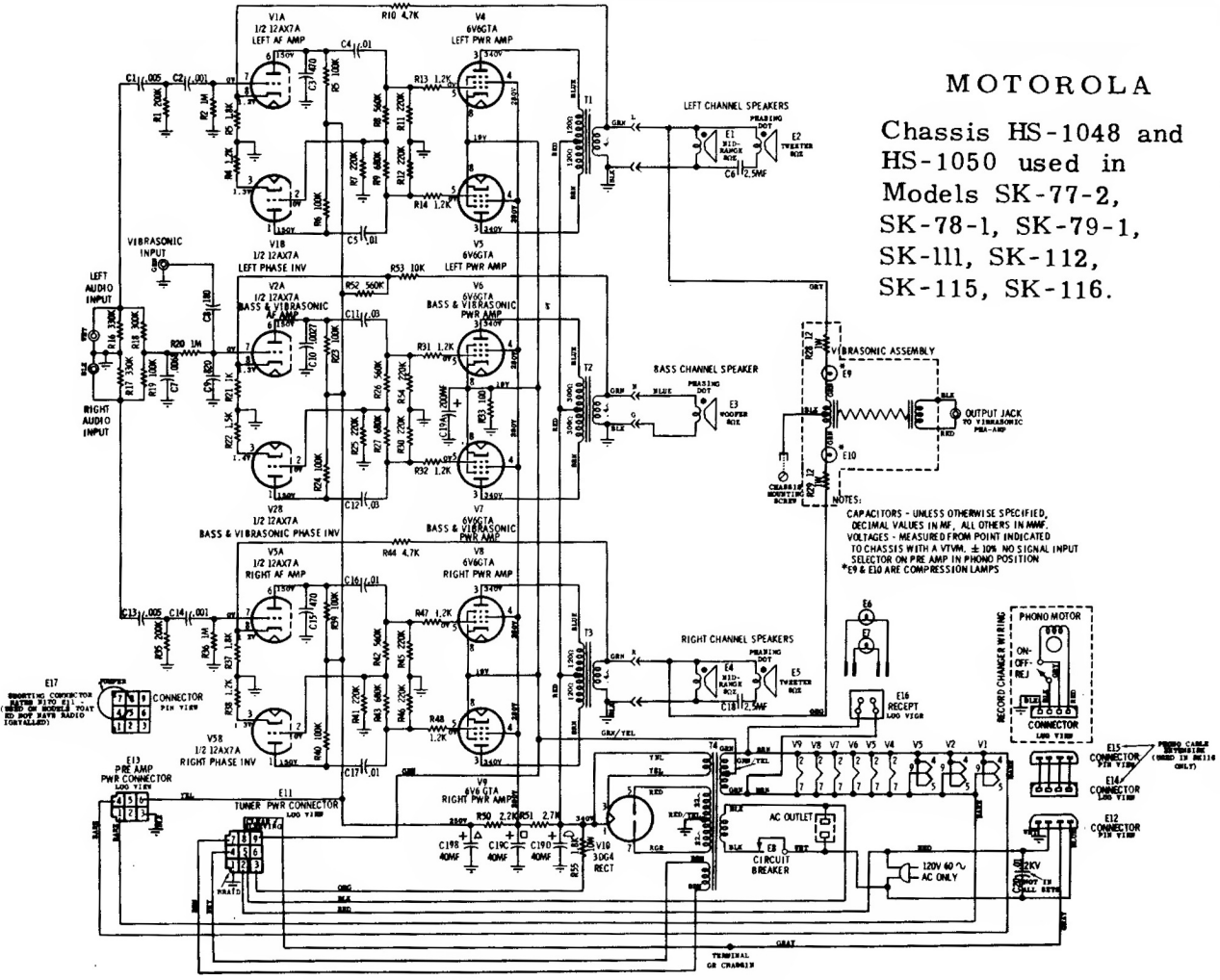
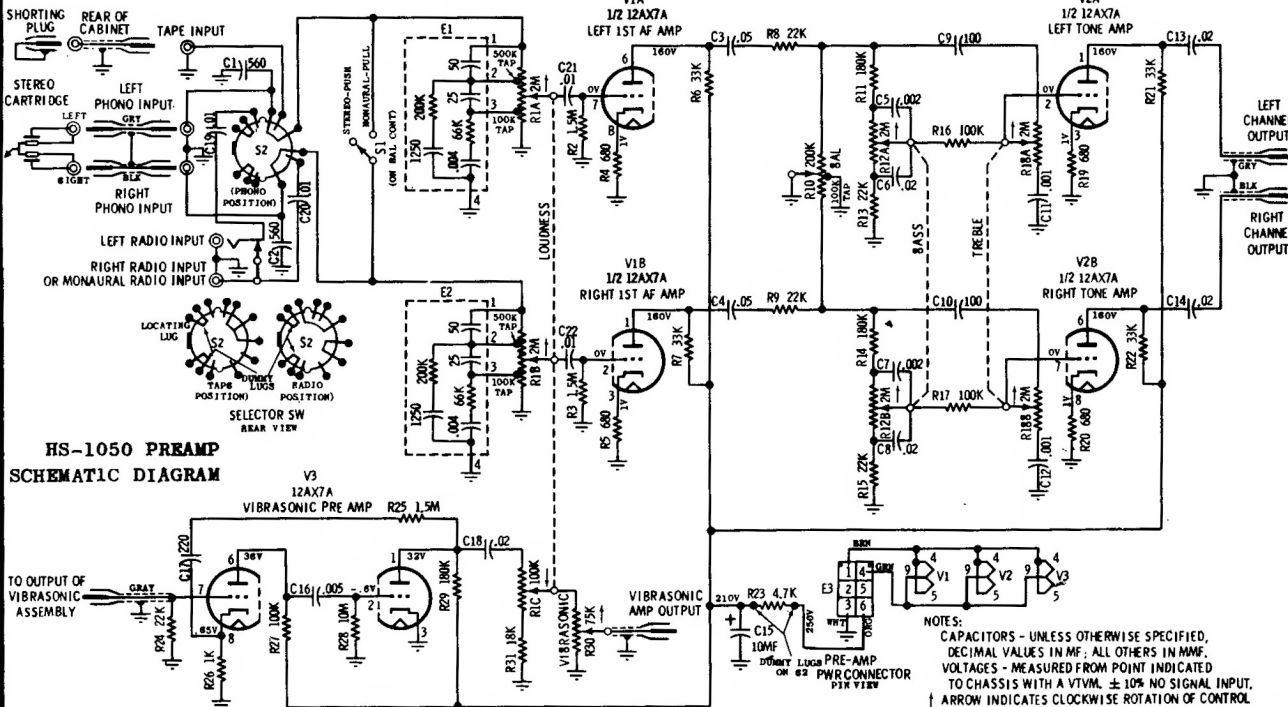


MOTOROLA

Chassis HS-1048 and HS-1050 used in Models SK-77-2, SK-78-1, SK-79-1, SK-111, SK-112, SK-115, SK-116.



HS-1048 POWER AMP & POWER SUPPLY SCHEMATIC DIAGRAM



HS-1050 PREAMP SCHEMATIC DIAGRAM

NOTES:
CAPACITORS - UNLESS OTHERWISE SPECIFIED, DECIMAL VALUES IN MF, ALL OTHERS IN MMF. VOLTAGES - MEASURED FROM POINT INDICATED TO CHASSIS WITH A VTVM. ± 10% NO SIGNAL INPUT SELECTOR ON PRE AMP IN PHONO POSITION *E9 & E10 ARE COMPRESSION LAMPS

NOTES:
CAPACITORS - UNLESS OTHERWISE SPECIFIED, DECIMAL VALUES IN MF, ALL OTHERS IN MMF. VOLTAGES - MEASURED FROM POINT INDICATED TO CHASSIS WITH A VTVM. ± 10% NO SIGNAL INPUT. † ARROW INDICATES CLOCKWISE ROTATION OF CONTROL